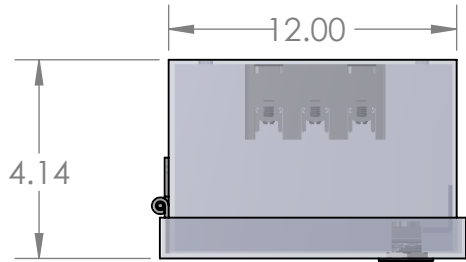


2

1

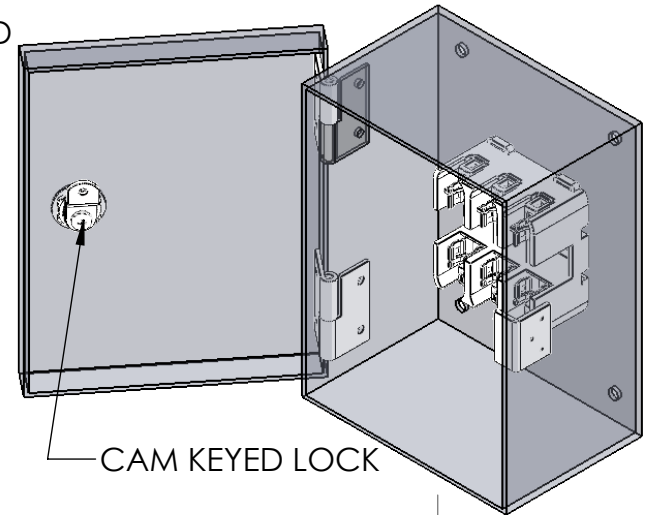
NOTES:

1. NEMA 1 STITCH WELDED CONSTRUCTION
2. HINGED FRONT COVER WITH WRAP AROUND LIP & CAM LOCK FASTENED
3. 3 POLE 60A UL LISTED FUSE HOLDER
4. FIRE ALARM RED POWDER COAT FINISH
5. CAM 45 KEYED DOOR LOCK
6. FACTORY INSTALLED NEUTRAL BARS AVAILABLE



TOP VIEW

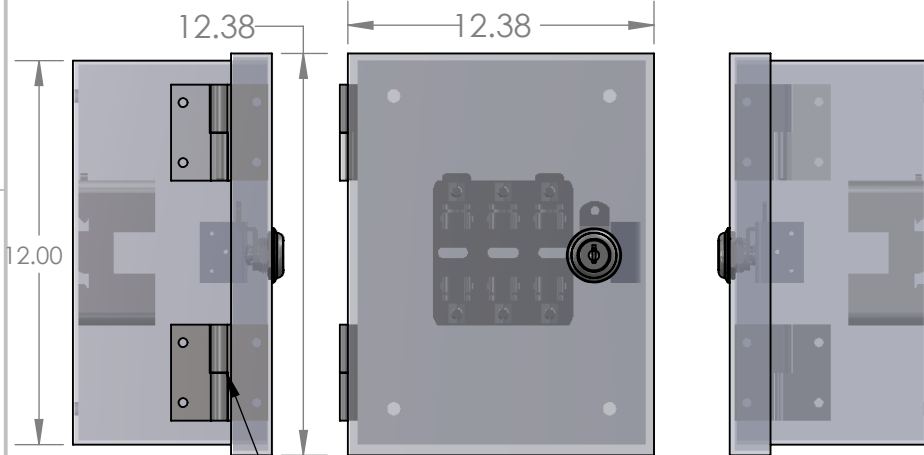
E167302 **UL LISTED**
CABINETS AND CUT OUT BOXES
 LOT NO. XXXXXX
NAV-TECH INC.
 HAUPPAUGE, NEW YORK



CAM KEYED LOCK

B

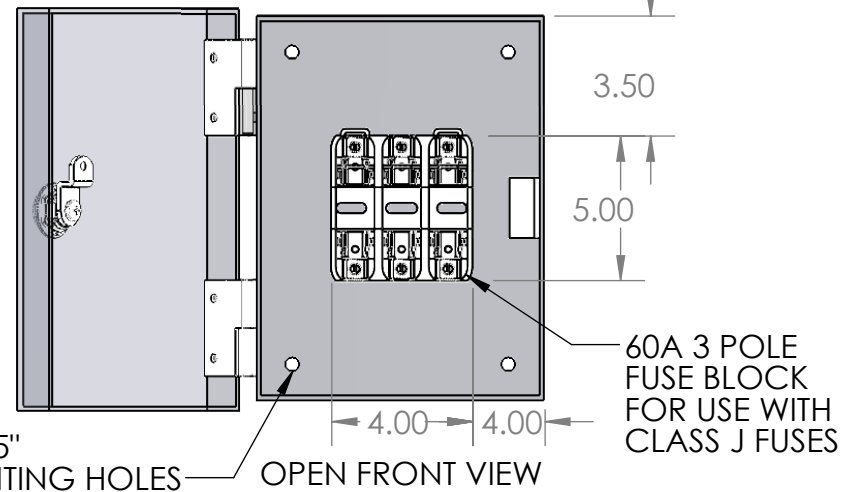
B



LEFT SIDE

CLOSED FRONT VIEW

RIGHT SIDE



4X 0.25" MOUNTING HOLES

OPEN FRONT VIEW

60A 3 POLE FUSE BLOCK FOR USE WITH CLASS J FUSES

A

A

HINGED DOOR

	NAME	DATE
DRAWN BY	J. Pincus	11/3/2023
APPROVED BY		

PROPRIETARY AND CONFIDENTIAL
 THE INFORMATION CONTAINED IN THIS DRAWING IS THE SOLE PROPERTY OF Nav-Tech Inc. ANY REPRODUCTION IN PART OR AS A WHOLE WITHOUT THE WRITTEN PERMISSION OF Nav-Tech Inc. IS PROHIBITED.



155 MARCUS BLVD
 HAUPPAUGE, NEW YORK 11788
 PH: (718) 257-2111 FAX: (718) 257-2626

UNLESS OTHERWISE SPECIFIED:
 ALL DIMENSIONS ARE NOMINAL UNLESS EXPLICITLY SPECIFIED OTHERWISE

MATL: 166 GA GALV
 FINISH: ANSI 61 POWDER COAT
 WEIGHT:

UNLESS OTHERWISE SPECIFIED

1. REMOVE ALL BURRS AND BREAK ALL SHARP EDGES .015 X 45° OR .015R
2. DIMENSIONAL LIMITS APPLY AFTER PLATING
3. MACHINED SURFACES EXCEPT AS NOTED

DRAWING TITLE: 12" X 8" X 4" FIRE ALARM CUT OUT BOX

PART #: FAB 1284

DESCRIPTION:
 NEMA 4X 12" X 8" X 4" FIRE ALARM CUT OUT BOX WITH 60 AMP 3 POLE FUSE BLOCK AND LOCKING HINGE COVER

DO NOT SCALE DRAWING SCALE: 1:4 SIZE A SHEET 1 OF 1 REV. 0

2

1